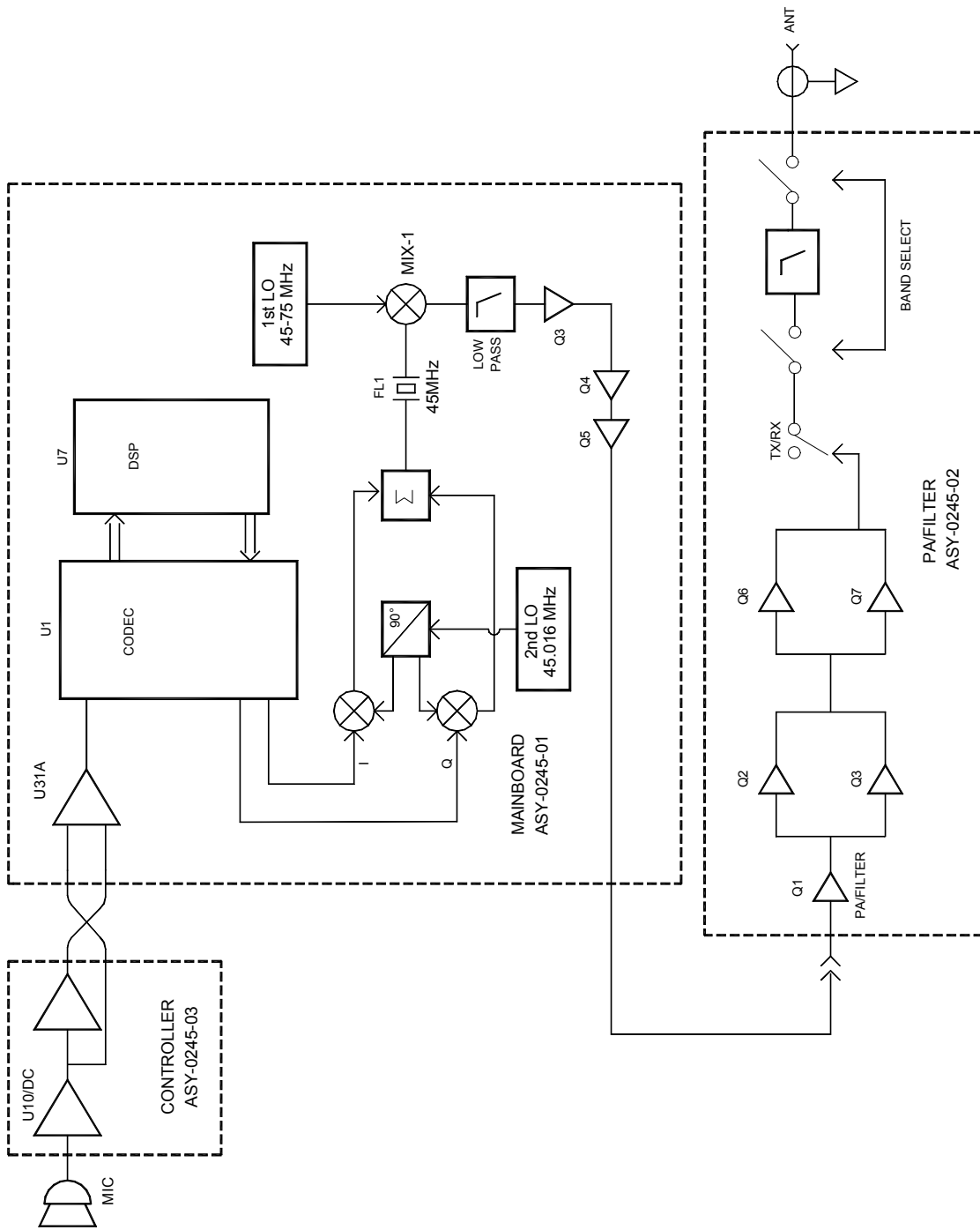
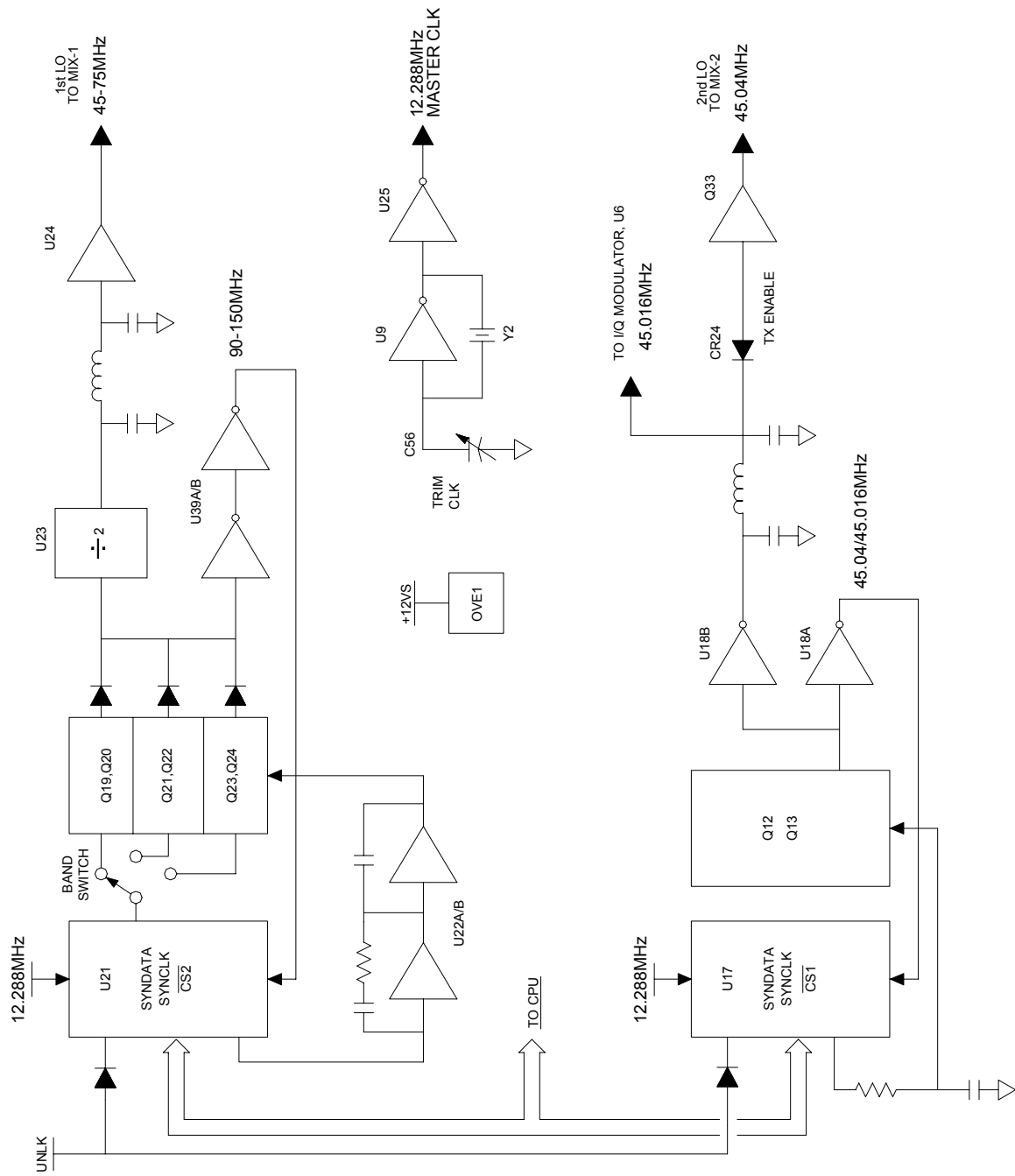


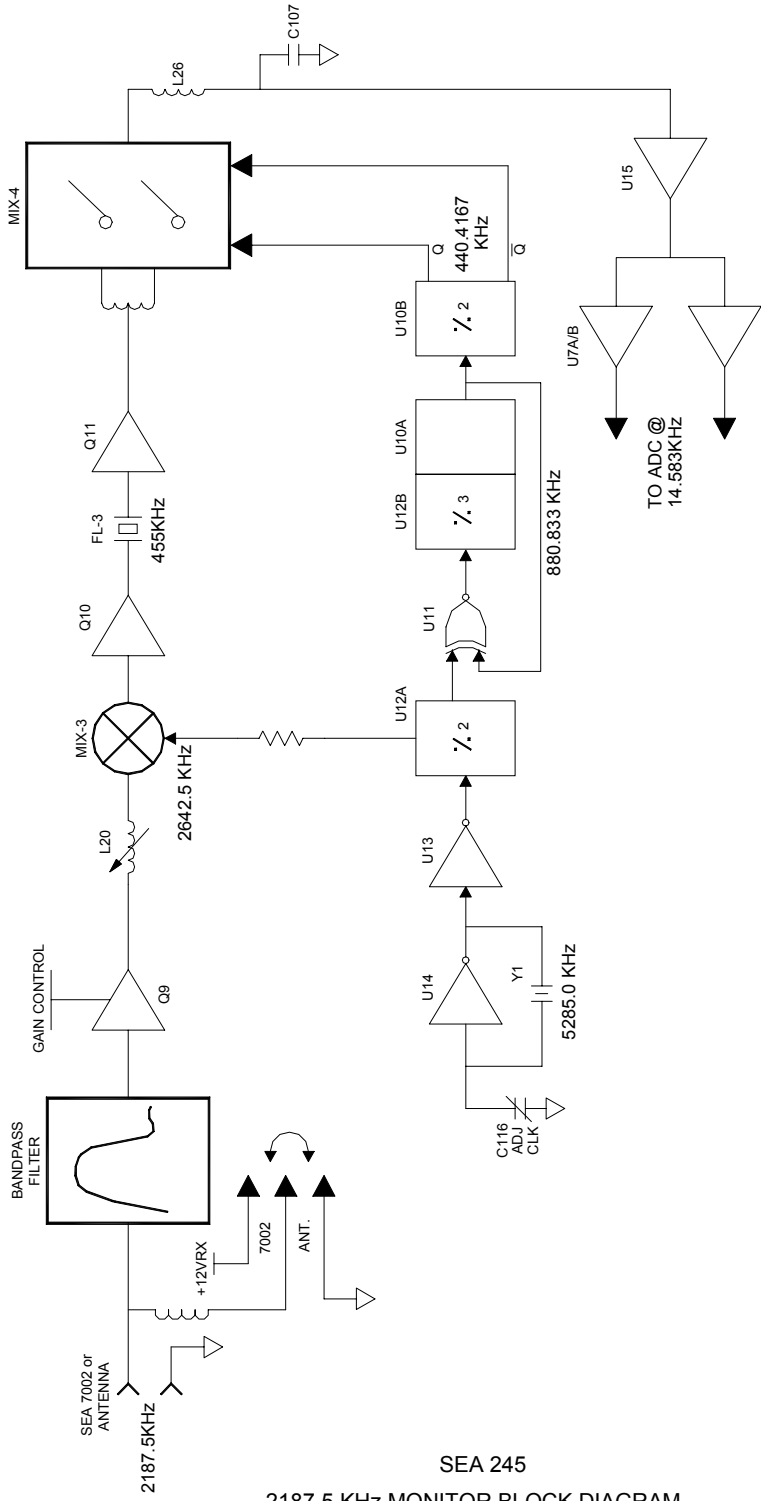
SEA 245  
Receiver Block Diagram  
Figure 5.2.1



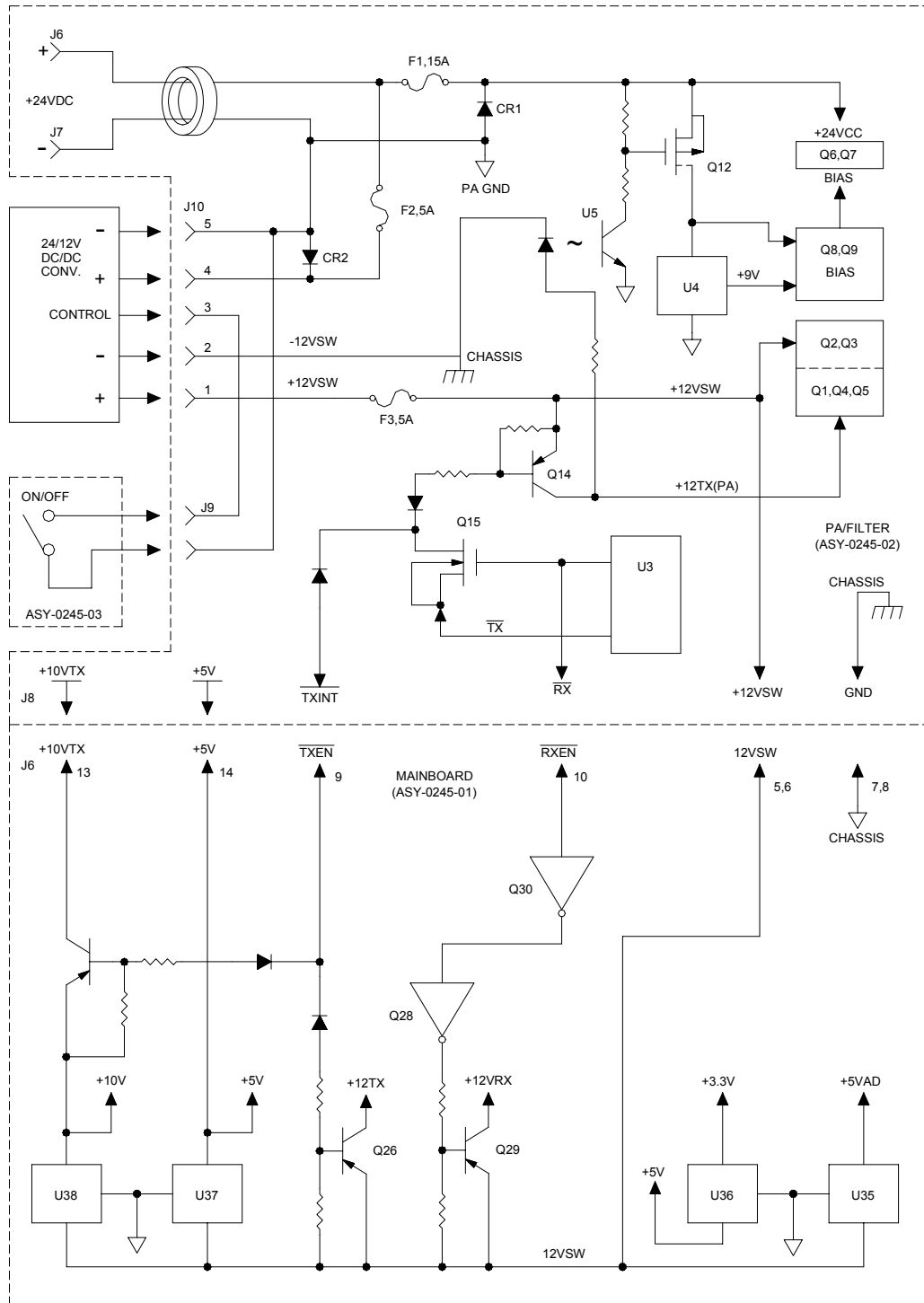
SEA 245  
 Transmitter Block Diagram  
 Figure 5.3.1



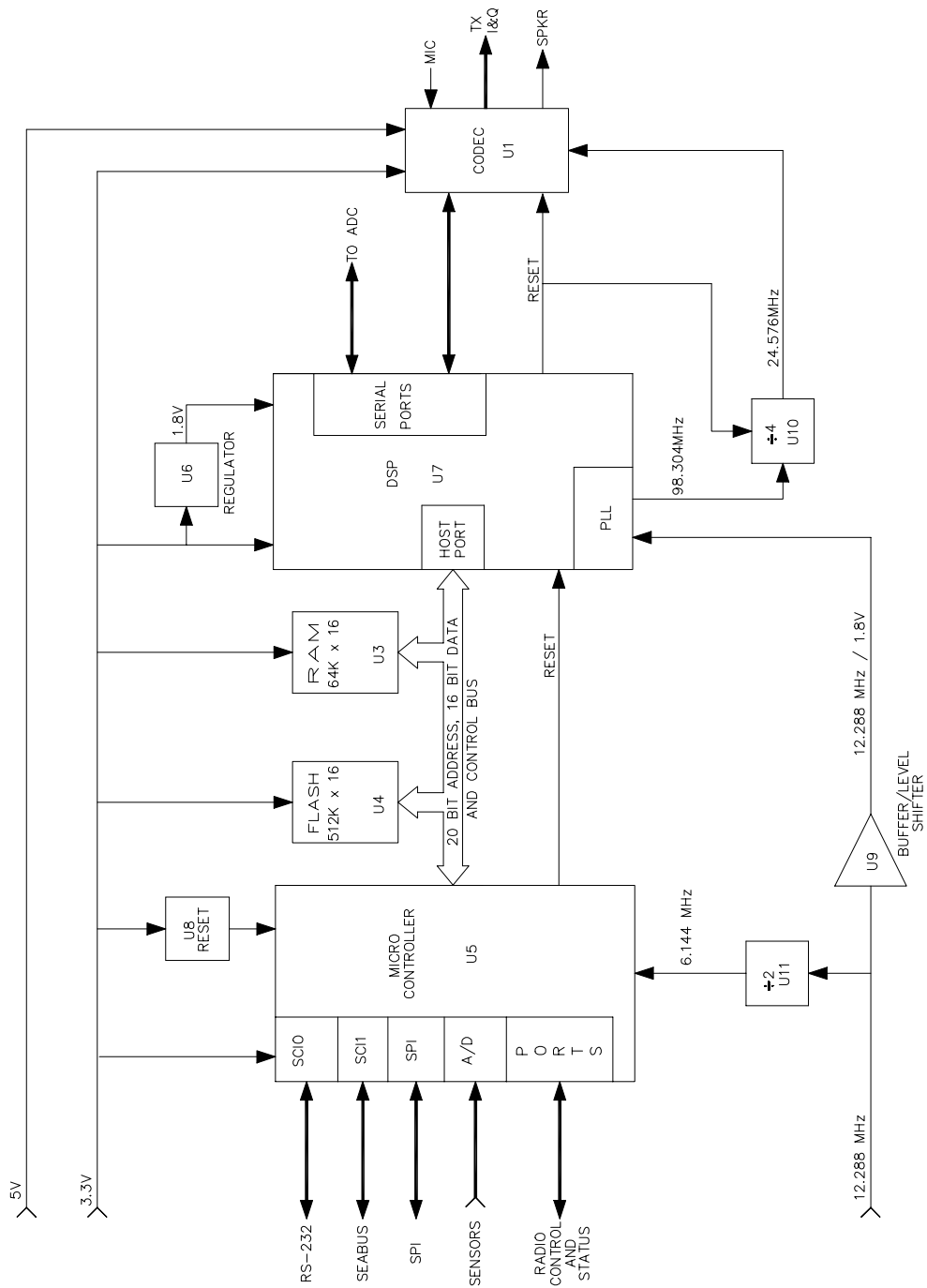
SEA 245  
 Synthesizer Block Diagram  
 Figure 5.4.1



SEA 245  
 2187.5 KHz MONITOR BLOCK DIAGRAM  
 Figure 5.5.1



SEA 245  
Power Distribution Block Diagram  
Figure 5.6.1



SEA 245 Processor Assembly  
Block Diagram  
Figure 5.7.1